

## TWS Bluetooth Earphone Charging Box SOC integrated with MCU

### 1. Features

- **Discharge**
  - ◇ Output capacity: 5V/300mA
  - ◇ Up to 93% discharge efficiency of synchronous switch
  - ◇ Built-in power path management supports charging and discharging at the same time
- **Charge**
  - ◇ Max 500mA linear charger, adjustable charging current
  - ◇ Adjusts charging current automatically to adapt to different load capacity adapters
  - ◇ Supports 4.20V, 4.30V 4.35V, 4.40V batteries
- **Battery indicators**
  - ◇ Built-in 12bits ADC , accurate calculation of battery capacity
  - ◇ Supports 4/3/2/1 LED battery indicator
- **Serial communication**
  - ◇ Double UART, support earphone independent communication function
- **Low-power dissipation**
  - ◇ Automatically detect earphone plugged-in/plugged-out/charger-end, Automatically enter standby mode
  - ◇ Support detection of earphone plug-in/plug-out independly
  - ◇ Standby power consumption up to 20uA minimum
  - ◇ Shipping mode standby current maximum value is 3uA
- **Simplified BOM**
  - ◇ Built-in power MOS, only a few peripheral devices are needed in the complete charging and discharging scheme
- **Multiple protection, high reliability**
  - ◇ Output: over current and short circuit protection
  - ◇ Input: over voltage protection and Battery over charged protection
  - ◇ Over temperature protection
  - ◇ Vin pin can withstand up to 15V(transient

voltage)

- ◇ ESD 4KV

- **In-depth customization**
  - ◇ Flexible and low-cost customized program
- **Package: QFN24 (4\*4\*0.75mm)**

### 2. Applications

- TWS Bluetooth Earphone Charging Box
- Lithium Battery Portable Device

### 3. Description

IP5518 is a multi-functional power management SOC for total solution on TWS Bluetooth Earphone Charging Box. It integrates with 5V boost converter, lithium battery charging management and battery level indicators.

IP5518 is highly integrated with abundant functions, which makes the total solution with minimized-size and low-cost BOM.

The synchronous 5V-boost system of IP5518 provides rated 300mA output current with conversion efficiency up to 93%. DC-DC converter operates at 1.5MHz frequency, can support low-cost inductors and capacitors.

IP5518's linear charger supplies max 500mA charging current. With the change of IC temperature and input voltage, IP5518 can automatically adjust the charging current.

IP5518 can detects the TWS earphone plug-in/plug-out in the Charging Box independently. While the earphone is put in the Charging Box, it enters the discharging mode automatically. When the earphone is fully charged, the Charging Box automatically enters the sleep state, the standby current can be reduced to 20uA, and the shipping mode standby current maximum value is 3uA. The earphone's charge-end current can be Flexible and customizable, such as 4mA or 8mA.

IP5518 can support 1/2/3/4 LED battery indicator, The built-in 12bits ADC can accurately calculate the Charging Box's battery capacity.

IP5518 is packaged with QFN24(4\*4\*0.75mm).

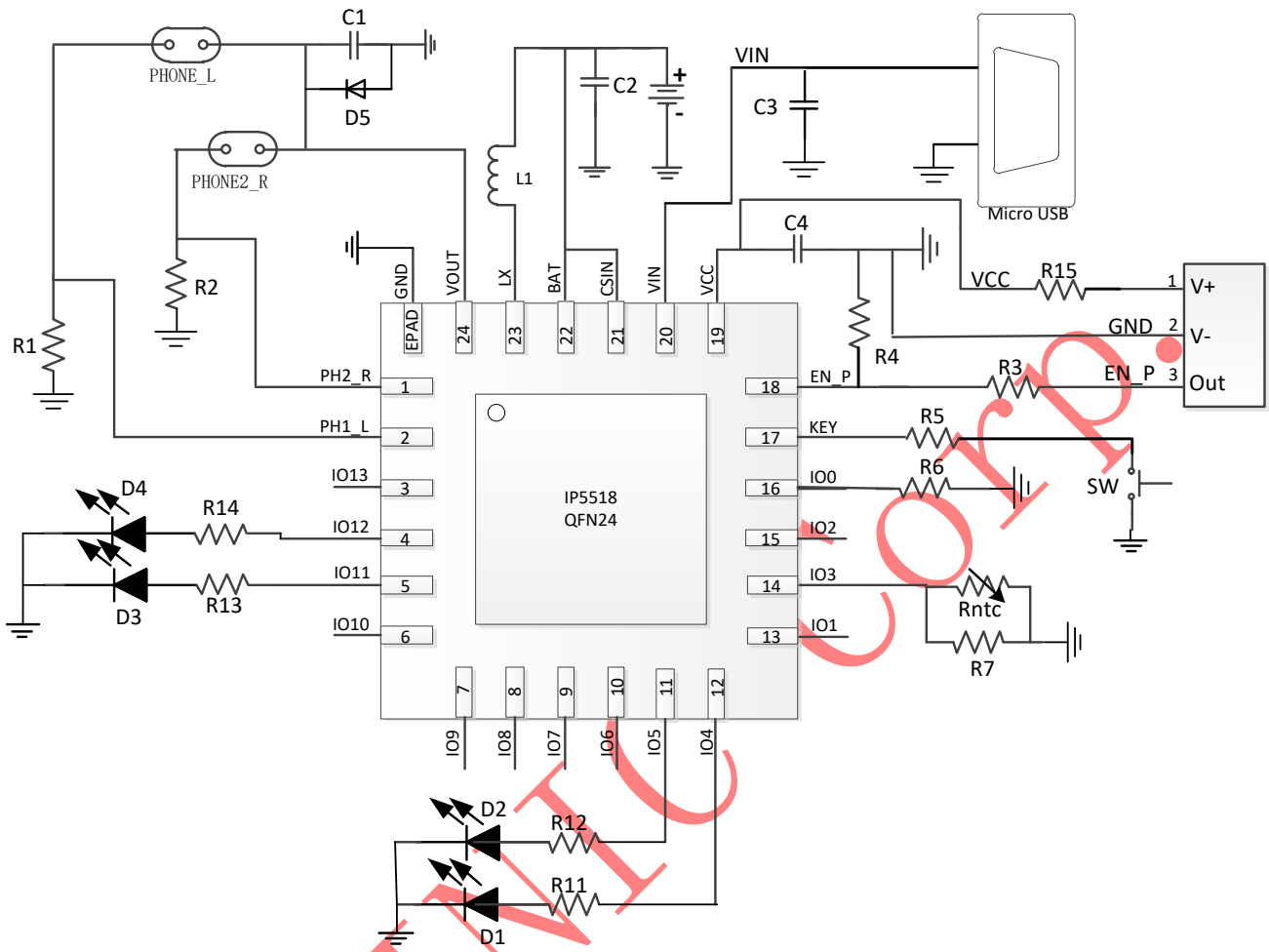


Figure1 IP5518 Simplified Application Diagram

## 4. Pin Definition

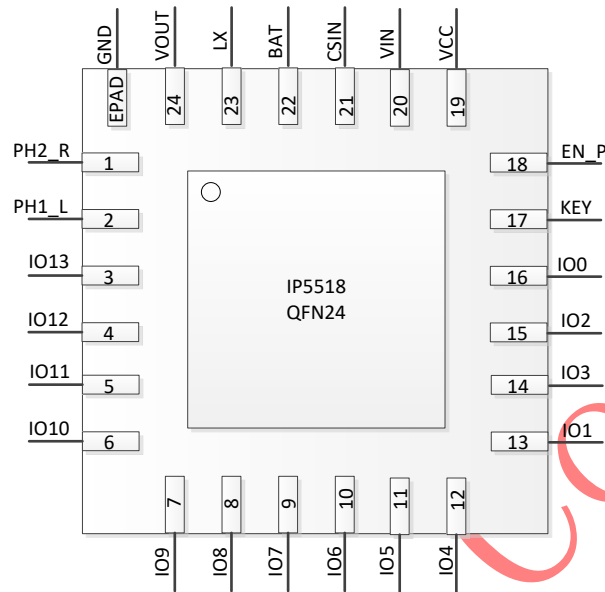


Figure2 IP5518 Pin Assignments

Pin Num	Pin Name	Description
1	PH2_R	Earphone 2 negative
2	PH1_L	Earphone 1 negative
3	IO13	IO13
4	IO12	IO12, LED driver, can be reused as breathing light
5	IO11	IO11, LED driver, can be reused as breathing light
6	IO10	IO10
7	IO9	IO9, can be reused as UART0
8	IO8	IO8, can be reused as UART1
9	IO7	IO7, can be reused as UART0
10	IO6	IO6, can be reused as UART1
11	IO5	IO5, LED driver, can be reused as breathing light
12	IO4	IO4, LED driver, can be reused as breathing light
13	IO1	IO1, can be reused as ADC
14	IO3	IO3, NTC function
15	IO2	IO2, can be reused as ADC
16	IO0	IO0, charging current setting pin
17	KEY	KEY
18	EN_P	Hall switch input signal, pull down by default
19	VCC	LDO output pin
20	VIN	5V input pin

21	CSIN	Battery voltage positive pin
22	BAT	Battery voltage positive pin
23	LX	DCDC switch node
24	VOUT	Boost5V output
Epad	GND	Ground

INJOINIC Corp.

## 5. IP Series TWS Charging IC Products List

IC part no	Charge-discharge		Main features							
	discharge	charge	Wireless charging	LED	KEY	HALL	VSET	NTC	USB C	Package
IP5513	300mA	IO option MAX 500mA	-	1/2/3/4/ digital tube	either-or		Customizable	Customizable	-	SOP16
IP5516	300mA	IO option MAX 500mA	-	1/2/3/4/ digital tube	Support	Support	Customizable	Support	-	QFN16
IP5518	300mA	IO option MAX 500mA	-	1/2/3/4/ digital tube	Support	Support	Customizable	Support	-	QFN24
IP6816	300mA	Customizable MAX 500mA	Support	1/2/3/4/ digital tube	Support	Support	Customizable	Support	-	QFN16
IP6818	300mA	Customizable MAX 500mA	Support	1/2/3/4/ digital tube	Support	Support	Customizable	Support	-	QFN24
IP5333	1A	IO option MAX 1A	-	1/2/3/4/ digital tube	Support	Support	IO option	Support	Support	QFN24
IP5528	400mA	IO option MAX 1A	-	1/2/3/4/ digital tube	Support	Support	Customizable	Support	-	QFN28
IP5416	200mA	MAX 300mA	-	1/2	Support	Support	Customizable	-	-	SOP8
IP5428	300mA	MAX 1A	-	1/2	Support	Support	Customizable	-	-	SOP8
IP5413T	200mA	MAX 300mA	-	1/2/4	Support	-	Customizable	-	-	SOP8
IP5427	300mA	MAX 1A	-	1/2/4	Support	-	Customizable	-	-	SOP8

not supported:-

## 6. Absolute Maximum Ratings

Parameter	Symbol	Value	Unit
Input Voltage Range	$V_{IN}$	-0.3 ~ 12	V
	BAT,CSIN,LX,PH1_L,PH2_R	-0.3 ~ 10	V
	VOUT	-0.3 ~ 10	V
IO Voltage Range	IO0-IO13	-0.3 ~ 6.5	V
Junction Temperature Range	$T_J$	-40 ~ 150	°C
Storage Temperature Range	$T_{stg}$	-60 ~ 150	°C
Thermal Resistance (Junction to Ambient)	$\theta_{JA}$	50	°C/W
ESD (Human Body Model)	ESD	4	KV

\*Stresses beyond these listed parameter may cause permanent damage to the device.

Exposure to Absolute Maximum Rated conditions for extended periods may affect device reliability.

## 7. Recommended Operating Conditions

Parameter	Symbol	Min.	Typ.	Max.	Unit
Input Voltage	$V_{IN}$	4.5	5	6.0	V
Operating Temperature	$T_A$	-10	--	70	°C

\*Device performance cannot be guaranteed when working beyond these Recommended Operating Conditions.

## 8. Electrical Characteristics

Unless otherwise specified,  $T_A=25^{\circ}\text{C}$ ,  $L=2.2\mu\text{H}$

Parameter	Symbol	Test Conditions	Min.	Typ.	Max.	Unit
<b>Charging System</b>						
Input Voltage	$V_{IN}$	$V_{BAT}=3.7\text{V}$	4.5	5	6.0	V
Input Over Voltage	$V_{INOV}$			6		V
VIN activation voltage	$V_{INOK}$		3.0	3.2	3.4	V
Input Under Voltage	$V_{INUV}$		4.0	4.2	4.4	V
Constant Charge Voltage	$CV_{4.2V}$	4.2V battery	4.15	4.20	4.25	V
	$CV_{4.30V}$	4.3V battery	4.28	4.30	4.34	V
	$CV_{4.35V}$	4.35V battery	4.33	4.35	4.4	V
	$CV_{4.4V}$	4.4V battery	4.38	4.40	4.44	V
Charge Stop Current	$I_{vinstop}$	$V_{IN}=5\text{V}$ , Set the charge current =300mA		30		mA
Charge Current	$I_{VIN}$	$V_{IN}=5\text{V}$ , $V_{BAT}=3.7\text{V}$ , Set the charge current=300mA	260	300	340	mA
Trickle Charge Current	$I_{TRKL}$	$V_{IN}=5\text{V}$ , $BAT=2.7\text{V}$ , Set the charge current = 300mA	20	25	30	mA
Trickle Charge Stop Voltage	$V_{TRKL}$		2.9	3	3.1	V
Recharge Voltage Threshold	$V_{RCH}$		4.07	4.1	4.13	V
Charge Cut-Off Time	$T_{END}$		8	16	24	Hours
<b>Boost System</b>						
Battery Operation Voltage	$V_{BAT}$		3.0	3.7	4.4	V
Low Power Shutdown	$V_{BATLOW}$	$I_{OUT}=300\text{mA}$	2.9	3.0	3.1	V

Voltage						
Switching battery input current	$I_{BAT}$	VBAT=3.7V,VOUT=5.0V, fs=1.5MHz(without LED indicator, VOUT without load)		4	6	mA
DC Output Voltage	$V_{OUT}$	VBAT=3.7V @0A	5.0	5.1	5.2	V
		VBAT=3.7V @300mA	4.85	5.1	5.2	V
Output Voltage Ripple	$\Delta V_{OUT}$	VBAT=3.0V~4.4V	50	100	150	mV
Boost Output Current	$I_{vout}$	VBAT=3.0V~4.4V	0		300	mA
Boost Overcurrent Shut Down Threshold	$I_{shut}$	VBAT=3.0V~4.4V	0.7	0.8	0.9	A
Load Overcurrent Detect Time	$T_{UVD}$	Duration of output voltage under 4.2V		30		ms
<b>Control System</b>						
Switch Frequency	fs	Discharge switch frequency	1.3	1.5	1.6	MHz
PMOS On Resistance	$r_{DS(on)}$			450		mΩ
NMOS On Resistance					330	
Vcc Voltage	VCC	VBAT=3.7V	3.0	3.1	3.2	V
Battery Input Standby Current	$I_{STB1}$	VIN=0V, VBAT=3.0-4.2V	15	20	25	uA
Shipping Mode Standby Current	$I_{STB2}$	VIN=0V, VBAT=3.0-4.2V	1	2	3	uA
Light Load Shut Down Detect Time	$T_{loadD}$	Load current less than 4mA	7	8	9	s
Light Load Shut Down Current	$I_{plout}$	VBAT=3.7V, The load current of both headphones must be less than $I_{plout}$ to shut down.	3	4	5	mA
Short Press On Key Wake Up Time	$T_{OnDebounce}$		100		300	ms
Long Press On Key Wake Up Time	$T_{Keylight}$		2		3	s
Thermal Shut Down Temperature	$T_{OTP}$	Rising temperature	130	140	150	°C
Thermal Shut Down Hysteresis	$\Delta T_{OTP}$		30	40	50	°C
<b>GPIO</b>						
IO Driving Current	$I_{GPIO}$			5		mA
Minimum input high level	$V_{IH}$		0.7VCC			V

Minimum input low level	$V_{IL}$				0.3VCC	V
Output high level	$V_{OH}$			VCC		V
Output low level	$V_{OL}$			GND		V
Pull-up Resistor	$R_{pu}$			100		K $\Omega$
Pull-down Resistor	$R_{pd}$			100		K $\Omega$

## 9. Function Description

### System Diagram

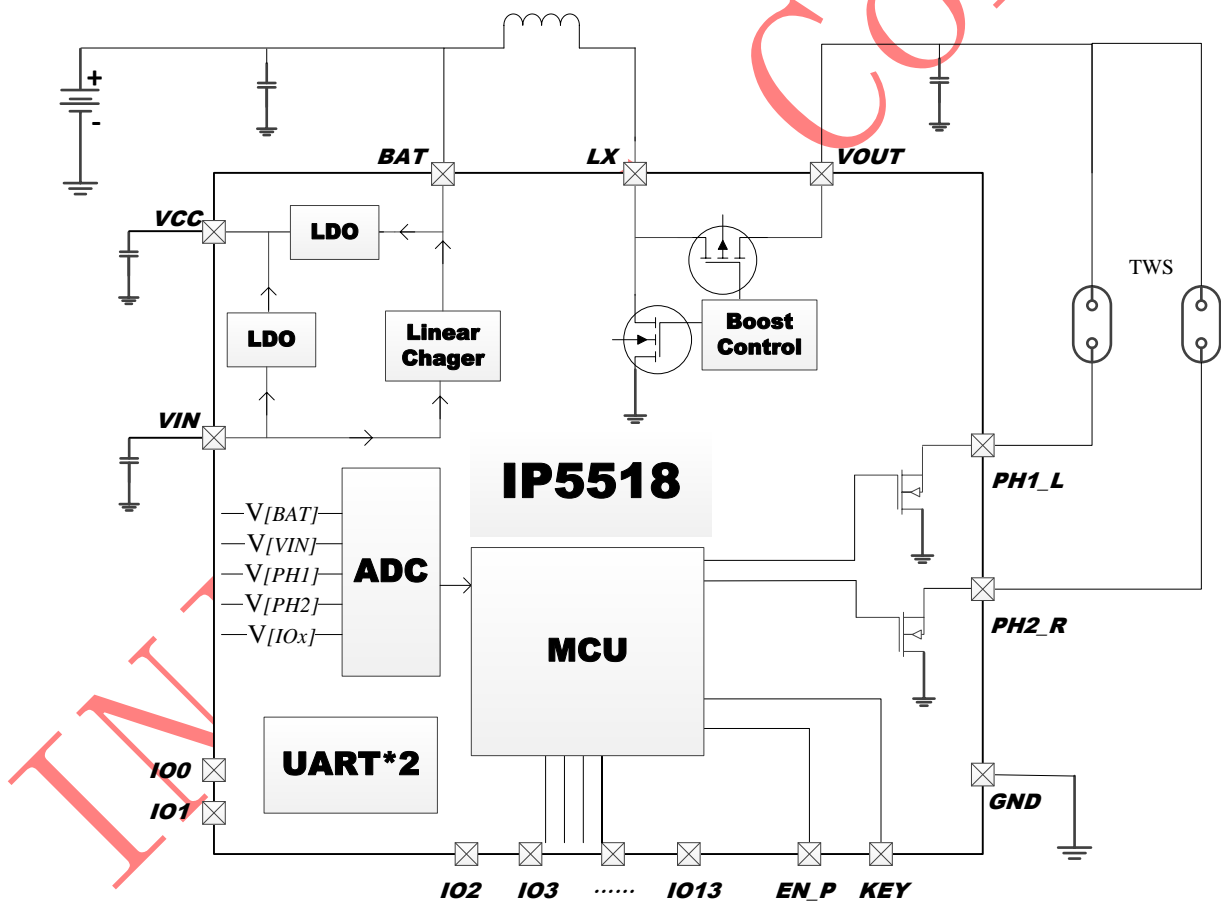


Figure3 IP5518 Internal System Diagram



## Boost

IP5518 integrates a boost dc-dc converter with 5V/300mA output, 1.5MHz switching frequency. To avoid large rush current causing device failure, it is built in overcurrent, short circuit, overvoltage and over temperature protection function, ensuring the reliability and stability of system operation.

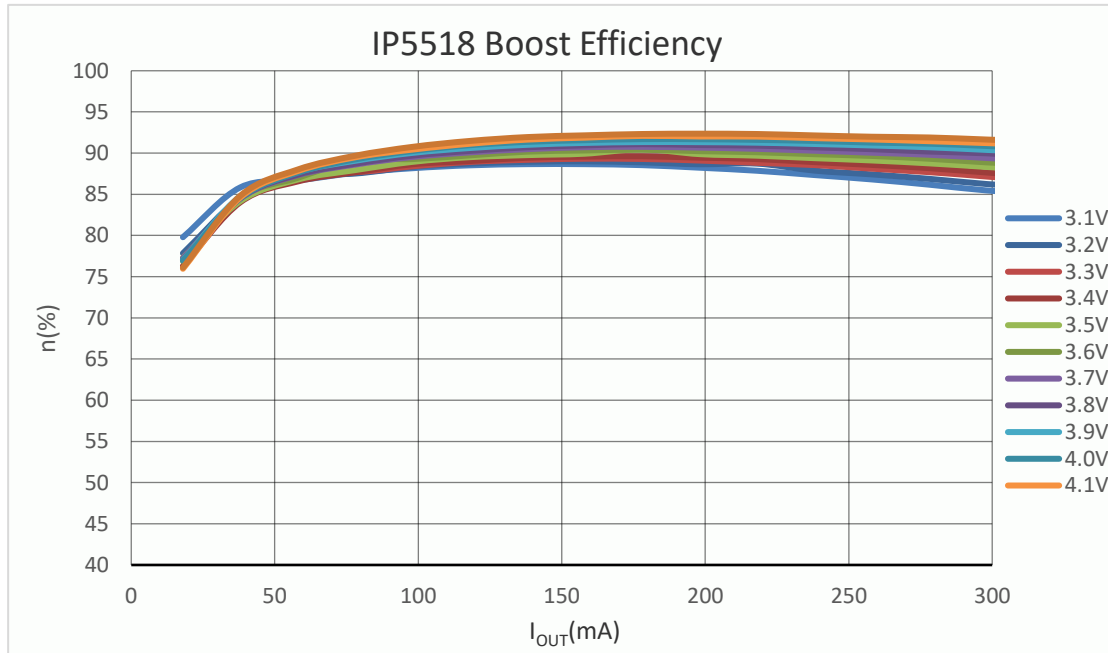


Figure4 IP5518 Boost Efficiency Curve

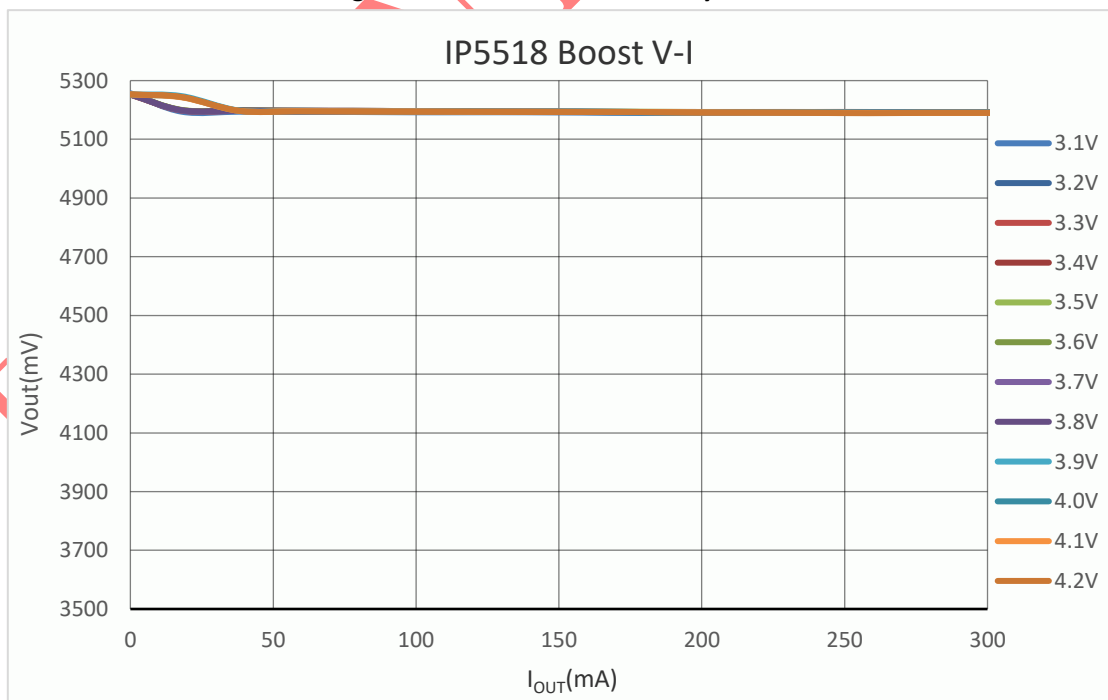


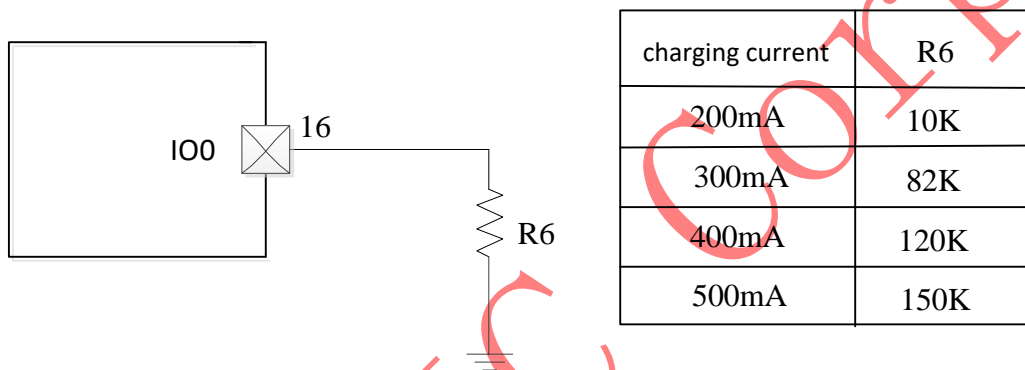
Figure5 IP5518 Boost Output V-I Curve

## Charge

IP5518 integrates a linear lithium battery charger. When the battery voltage is less than 3V, precharge with 0.1 CC; when the battery voltage is greater than 3V, enter constant current CC charging; when the battery voltage is close to 4.2V/4.3V/4.35V/4.4V, enter constant voltage charging. When the charging is accomplished, once the battery voltage falls under 4.1V, battery charging stage will be restarted.

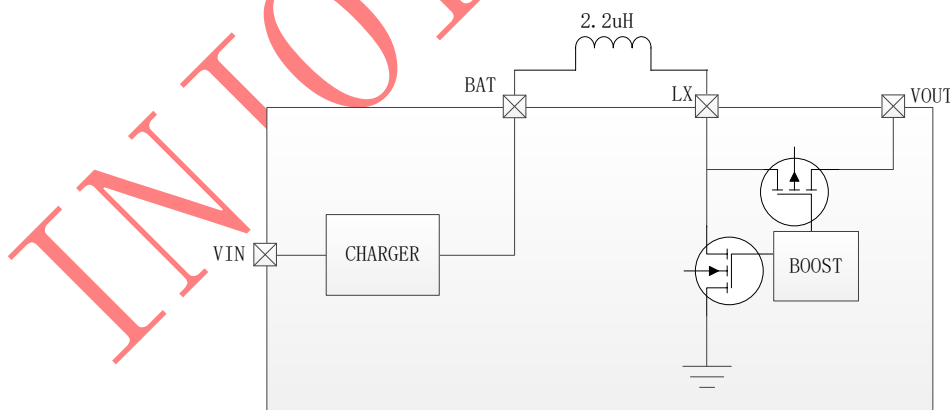
IP5518 supports max 500mA linear charging, According to the IC temperature and input voltage, IP5518 can intelligently adjust charging current.

IP5518 can select the constant current charging current of the battery by connecting different resistors on the IO2 pin.



**Figure6 Constant Charging Current Setting Circuit**

IP5518 has a built-in power path management. When the battery voltage is greater than 3.3V, it supports simultaneous charging and discharging. When the battery voltage is less than 3.1V, it does not support simultaneous charging and discharging, the battery is charged firstly.



**Figure7 IP5518 Power Path Diagram**

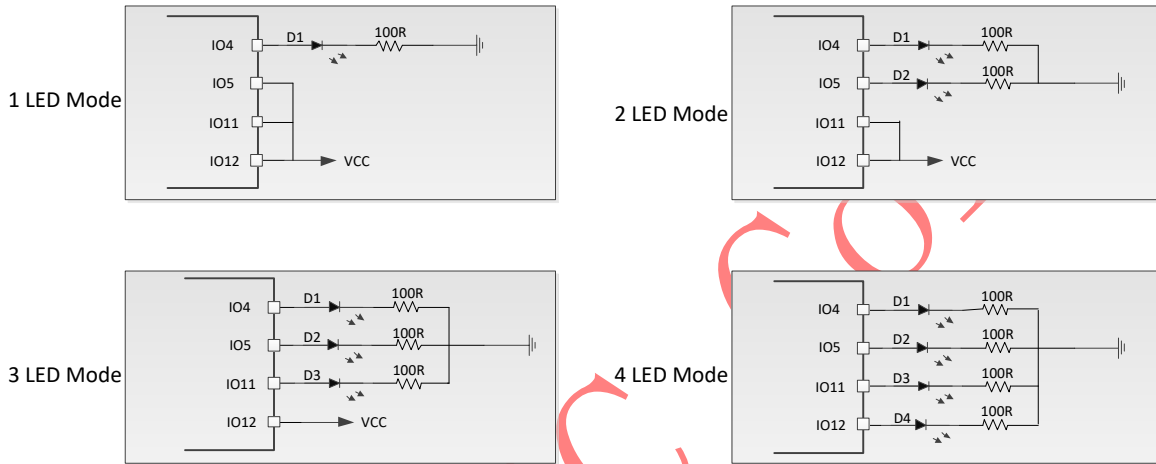
## Battery level display

IP5518 has a built-in power algorithm, which can accurately display the remaining battery power according to the cell capacity.

IP5518 can support 1/2/3/4 LED battery indicator, and the system can automatically identify several LED modes.

IP5518 can also support other power displays such as breathing lights and 188 digital tubes. Such special lights need to be customized separately. Please contact INJOINIC technical support department.

## LED light display mode



**Figure8 LED Mode Selection Circuit**

### ■ 4 LED Mode

#### Discharge

Battery capacity(c)(%)	LED1	LED2	LED3	LED4
$C \geq 75\%$	on	on	on	on
$50\% \leq C < 75\%$	on	on	on	off
$25\% \leq C < 50\%$	on	on	off	off
$3\% \leq C < 25\%$	on	off	off	off
$0\% < C < 3\%$	1Hz blink	off	off	off

#### Charge

Battery capacity(c)(%)	LED1	LED2	LED3	LED4
full	on	on	on	on
$75\% \leq C$	on	on	on	0.5Hz blink
$50\% \leq C < 75\%$	on	on	0.5Hz blink	off
$25\% \leq C < 50\%$	on	0.5Hz blink	off	off
$C < 25\%$	0.5Hz blink	off	off	off

## ■ 3 LED Mode

Discharge

Battery capacity(c)(%)	LED1	LED2	LED3
$C \geq 66\%$	on	on	on
$33\% \leq C < 66\%$	on	on	off
$3\% \leq C < 33\%$	on	off	off
$0\% < C < 3\%$	1Hz blink	off	off

Charge

Battery capacity(c)(%)	LED1	LED2	LED3
$75\% \leq C$	on	on	on
$66\% \leq C < 100\%$	on	on	0.5Hz blink
$33\% \leq C < 66\%$	on	0.5Hz blink	off
$C < 33\%$	0.5Hz blink	off	off

## ■ 2 LED Mode

	state	LED1	LED2
charge	charging	0.5Hz blink	off
	full	on	off
discharge	dischareging	off	on
	low	off	1Hz blink

## ■ 1 LED Mode

	state	LED1
charge	charging	0.5Hz blink
	full	on
discharge	dischareging	on
	low	1Hz blink

## NTC

IP5518 support NTC function used for battery temperature detection. NTC pin outputs 20uA current then detects the voltage on NTC resistance to determine the present battery temperature.

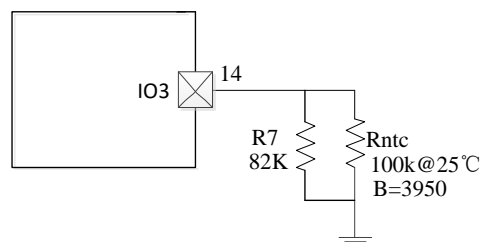


Figure9 NTC Circuit

## Under charging state:

Voltage on NTC resistance is higher than 1.3V meaning the battery temperature is under 0 centigrade, then stop charging the battery;

Voltage on NTC resistance is lower than 0.57V meaning the battery temperature is above 45 centigrade, then stop charging the battery;

## Under discharging state:

Voltage on NTC resistance is higher than 1.42V meaning the battery temperature is under -10 centigrade, stop discharging;

Voltage on NTC resistance is lower than 0.57V meaning the battery temperature is above 45 centigrade, stop discharging.

If NTC function is not required in the scheme, the IO3 pin shall be connected 51K to GND. IO3 pin shall not float, otherwise abnormal charging and discharging may be caused.

## plug-in/plug-out detection

Once detecting the insertion of the earphone, the IP5518 wakes up from the standby mode and turns on the boost 5V to charge the earphone, eliminating the button operation and supporting the buttonless mold solution. The IP5518 supports light-load auto standby function. When the earphone's load current on PH1\_L and PH2\_R are less than 4mA for 8 seconds, IP5518 will automatically enter standby mode. In the standby mode, the VOUT pin voltage has three configurations: 5V, VBAT, and 2.4V. The standard standby VOUT output voltage is 2.4V, and other specifications need to be customized separately.

When the earphones are charged end, the IP5518 will enter standby mode and the VOUT output will change to 2.4V. In this case, in order to make the earphones also enter power-saved mode, You need to adjust the resistance R1/R2 on PH1\_L/PH2\_R. Taking PH1\_L as an example, the adjustment method is as follows:

1. R1 default resistance is 51K
2. If IP5518 can enters standby mode , but the earphone cannot enter the standby mode, then gradually reduce the R1.
3. If IP5518 can enters standby , but it can not be waked up by the earphone's plug-in, then gradually increase the R1.
4. Repeat steps 2/3 until you find a suitable resistor R1, which makes IP5518 can enter standby mode, and the earphone can enter stanby mode, and IP5518 can be waked up by the plug-in of earphone.

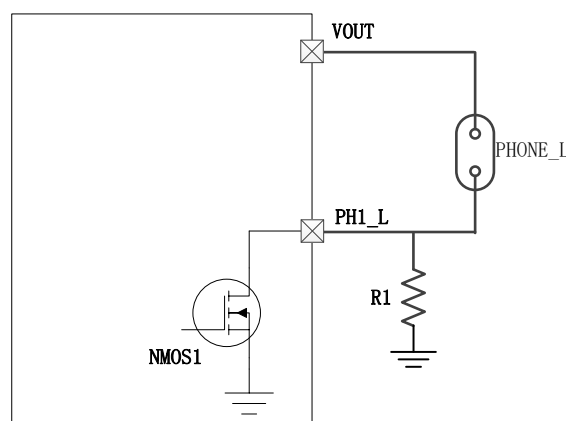


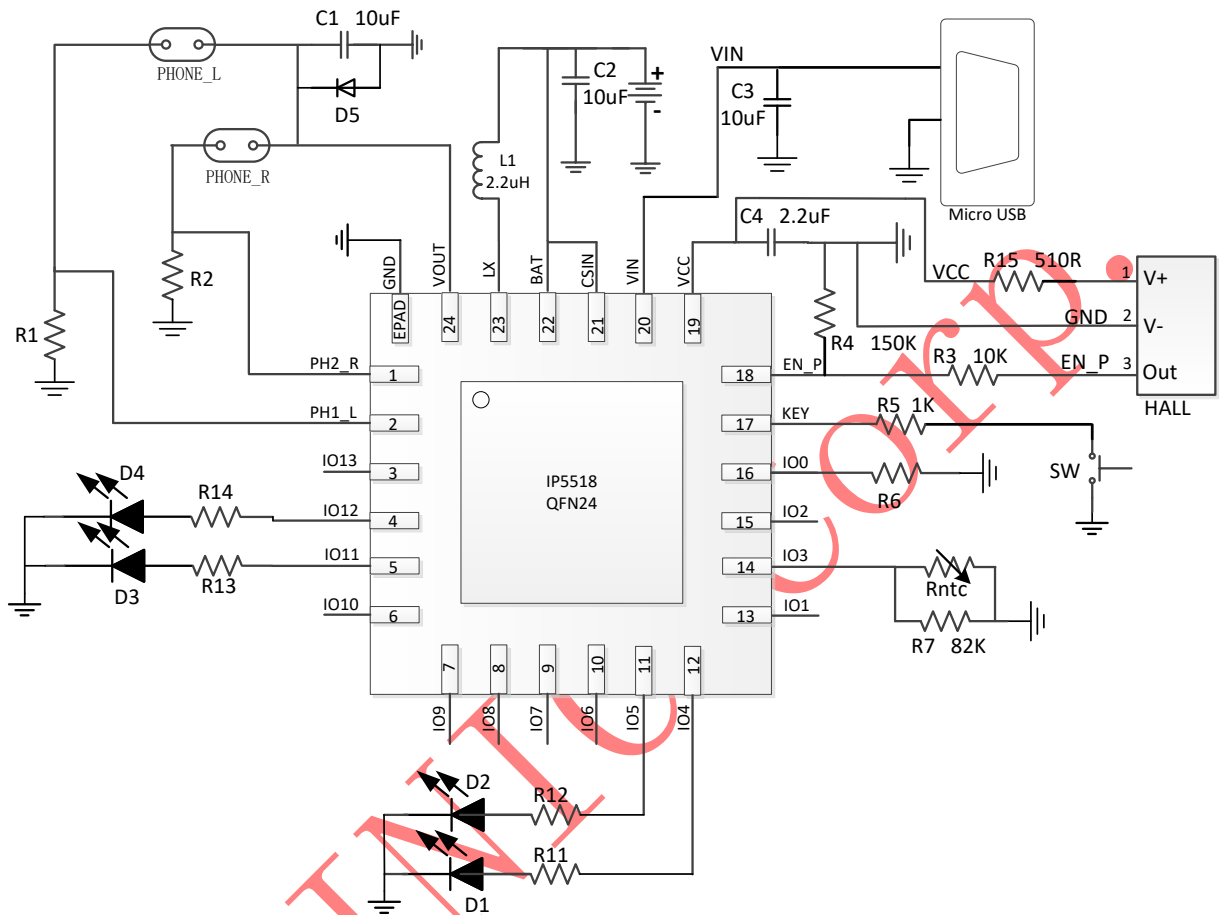
Figure10 IP5518 Earphone Standby Resistance Adjustment Diagram

## Earphone communication function

IP5518 supports UART communication function of two independent channels, and can communicate with various earphone solutions.

INJOINIC Corp.

## 10. Typical Application Diagram

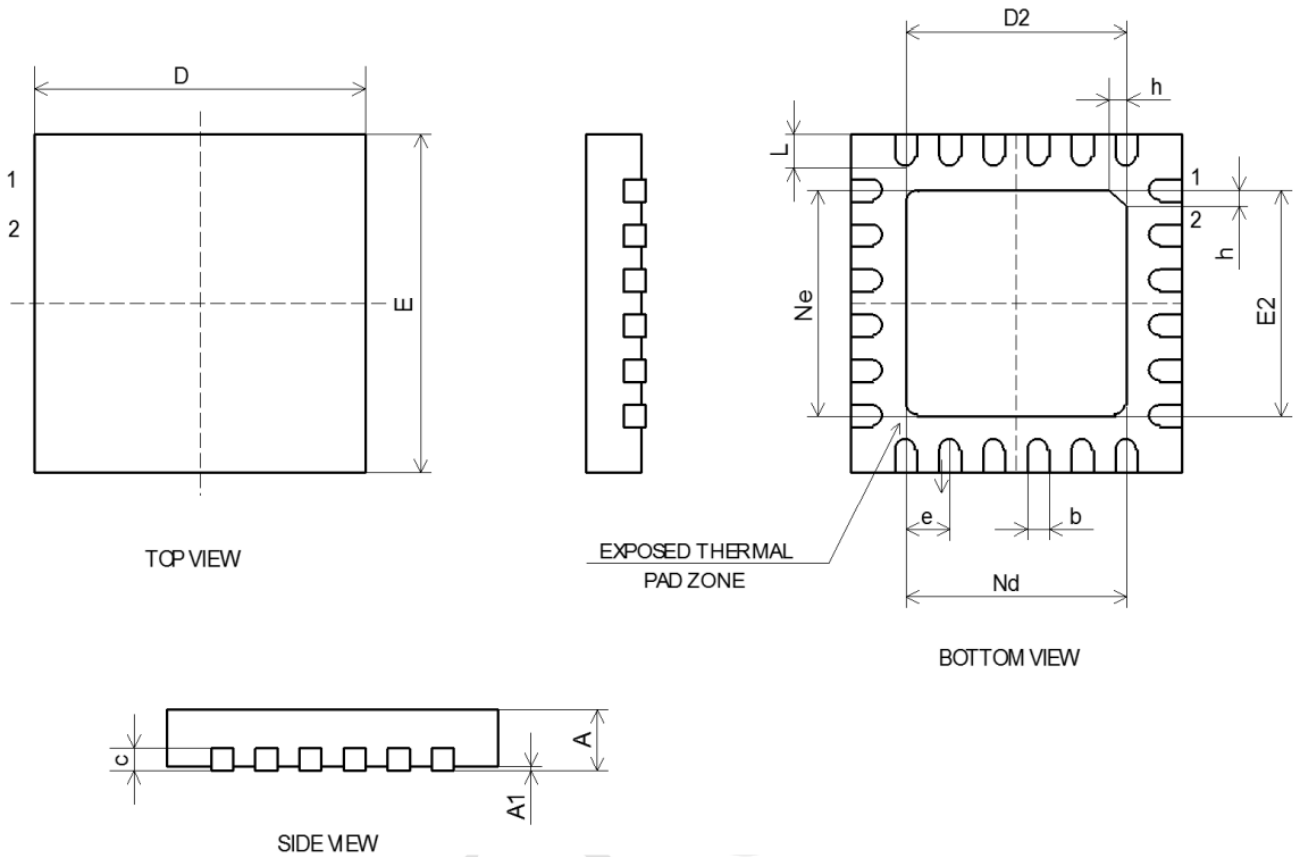


**Note:**

- 1、 R11/12/13/14 Please adjust the resistance value according to the actual LED lamp brightness
- 2、 If NTC function is not required, R7 needs to be 51K resistor
- 3、 R6 Please configure different resistance values according to charging current requirements
- 4、 R1/R2 Please adjust the corresponding resistance according to different Bluetooth headset solutions
- 5、 D5 need to use Schottky diode, constant current 1A

**Figure11 IP5518 Typical Application Diagram**

## 11. Package



SYMBOL	MILLIMETER		
	MIN	NOM	MAX
A	0.70	0.75	0.80
A1	-	0.02	0.05
b	0.18	0.25	0.30
c	0.18	0.20	0.25
D	3.90	4.00	4.10
D2	2.40	2.50	2.60
e	0.50BSC		
Ne	2.50BSC		
Nd	2.50BSC		
E	3.90	4.00	4.10
E2	2.40	2.50	2.60
L	0.35	0.40	0.45
h	0.30	0.35	0.40



## 12. Mark description



Note:



- 1、  --Injoinic Logo
- 2、 IP5518 --Part Number
- 3、 XXXXXXXX --Manufacture number
- 4、  --PIN1 location

Figure12 IP5518 Mark description

## IMPORTANT NOTICE

INJOINIC TECHNOLOGY and its subsidiaries reserve the right to make corrections, enhancements, improvements and other changes to its semiconductor products and services. Buyers should obtain the latest relevant information before placing orders and should verify that such information is current and complete. All semiconductor products (also referred to herein as “components”) are sold subject to INJOINIC TECHNOLOGY's terms and conditions of sale supplied at the time of order acknowledgment.

INJOINIC TECHNOLOGY assumes no liability for applications assistance or the design of Buyers' products. Buyers are responsible for their products and applications using INJOINIC TECHNOLOGY's components. To minimize the risks associated with Buyers' products and applications, Buyers should provide adequate design and operating safeguards.

Buyer acknowledges and agrees that it is solely responsible for compliance with all legal, regulatory and safety-related requirements concerning its products, and any use of INJOINIC TECHNOLOGY's components in its applications, notwithstanding any applications-related information or support that may be provided by INJOINIC TECHNOLOGY. Buyer represents and agrees that it has all the necessary expertise to create and implement safeguards which anticipate dangerous consequences of failures, monitor failures and their consequences, lessen the likelihood of failures that might cause harm and take appropriate remedial actions. Buyer will fully indemnify INJOINIC TECHNOLOGY and its representatives against any damages arising out of the use of any INJOINIC TECHNOLOGY's components in safety-critical applications.

Reproduction of significant portions of INJOINIC TECHNOLOGY's information in INJOINIC TECHNOLOGY's data books or data sheets is permissible only if reproduction is without alteration and is accompanied by all associated warranties, conditions, limitations, and notices. INJOINIC TECHNOLOGY is not responsible or liable for such altered documentation. Information of third parties may be subject to additional restrictions.

INJOINIC TECHNOLOGY will update this document from time to time. The actual parameters of the product may vary due to different models or other items. This document voids all express and any implied warranties.

Resale of INJOINIC TECHNOLOGY's components or services with statements different from or beyond the parameters stated by INJOINIC TECHNOLOGY for that component or service voids all express and any implied warranties for the associated INJOINIC TECHNOLOGY's component or service and is an unfair and deceptive business practice. INJOINIC TECHNOLOGY is not responsible or liable for any such statements.